



www.FGWilson.com



Modular Acoustic Enclosure

P26-1S – P220-1 Range

The intelligent and striking design of the 26 – 220 kVA enclosure range meets the demands of diverse applications. Extremely durable, the enclosures are designed to resist corrosion and handling damage.

All FG Wilson weatherproof sound attenuated enclosures are the result of continuing research and development by our specialist acoustic engineers. **These enclosures reduce sound levels to comply with the stage 2 levels of the European Community Directive 2000/14/EC which became effective 3 January 2006.**

Durable and Robust Construction

- Manufactured from galvanised steel
- Advanced powder coating paint finish
- Single piece main roof
- Baseframe extends beyond enclosure protecting against handling damage
- Minimal external fixings exposed to environment
- Zinc plated fasteners
- Corner posts and air handling units manufactured from high grade composite material

Excellent Service and Maintenance Access

- Side hinged doors on both sides of the enclosure incorporating lift-off hinges at 45 degrees
- Radiator fill via removable, flush mounted rain cap fitted with compression seal
- Lube oil drain valves / Coolant drain valves
- Removable end panels allow access to radiator, exhaust outlet and alternator rear
- Doors positioned for optimum access to frequently serviced items

Security and Safety

- Secure, lockable doors prevent unauthorised access to control panel, fuel fill and battery
- Emergency stop button mounted on exterior, convenient to control panel
- Cooling fan and battery charging alternator fully guarded

Transportability

- Tested and certified optional single point lifting facility
- Lifting and drag points on baseframe facilitating handling from both sides

FG Wilson has manufacturing facilities in the following locations:

Northern Ireland • Brazil • China • India • USA

With headquarters in Northern Ireland, FG Wilson operates through a Global Dealer Network.

To contact your local Sales Office please visit the FG Wilson website at www.FGWilson.com

Sound Attenuated (SA) Sound Pressure Levels (dBA)

Generator Set Model		50 Hz							60 Hz					
		LWA	15m (50ft)		7m (23ft)		1m (3ft)		15m (50ft)		7m (23ft)		1m (3ft)	
			75% Load	100% Load	75% Load	100% Load	75% Load	100% Load	75% Load	100% Load	75% Load	100% Load	75% Load	100% Load
3 Phase Models														
P33-1	Prime	–	60.5	61.8	66.5	67.8	76.3	78.4	60.6	62.7	66.6	68.7	77.6	79.9
	Standby	–	60.9	62.4	66.9	68.4	76.9	79.4	61.2	63.8	67.2	69.8	78.2	81.1
P33-4	Prime	–	59.4	61.3	65.4	67.3	76.5	78.6	–	–	–	–	–	–
	Standby	–	60.0	62.1	66.0	68.1	77.1	79.6	–	–	–	–	–	–
P44-1*	Prime	–	61.6	62.2	67.6	68.2	79.2	79.7	63.6	64.3	69.6	70.3	80.9	81.4
	Standby	–	61.8	62.4	67.8	68.4	79.4	80.0	63.9	64.6	69.9	70.6	81.1	81.6
P50-1	Prime	91	57.6	58.3	63.6	64.3	76.2	76.8	60.8	61.6	66.8	67.6	78.6	79.5
	Standby	91	57.8	58.7	63.8	64.7	76.4	77.0	61.1	62.1	67.1	68.1	78.9	80.0
P50-2	Prime	90	56.4	56.9	62.4	62.9	74.8	75.1	–	–	–	–	–	–
	Standby	90	56.6	57.1	62.6	63.1	74.9	75.1	–	–	–	–	–	–
P55-1	Prime	91	57.8	58.7	63.8	64.7	76.4	77.0	61.1	62.1	67.1	68.1	78.9	80.0
	Standby	91	58.1	59.0	64.1	65.0	76.6	77.3	61.4	62.5	67.4	68.5	79.3	80.5
P55-2	Prime	91	58.9	58.8	64.9	64.8	76.8	76.6	–	–	–	–	–	–
	Standby	91	58.9	58.8	64.9	64.8	76.8	76.6	–	–	–	–	–	–
P65-1	Prime	93	57.0	58.6	63.0	64.6	75.9	77.7	60.3	62.2	66.3	68.2	79.7	81.9
	Standby	93	57.4	59.4	63.4	65.4	76.4	78.5	60.7	63.1	66.7	69.1	80.3	82.9
P65-3	Prime	92	57.0	57.7	63.0	63.7	75.4	76.0	60.1	60.6	66.1	66.6	78.7	79.1
	Standby	92	57.2	58.0	63.2	64.0	75.5	76.2	60.3	60.8	66.3	66.8	78.8	79.2
P65-4	Prime	–	57.7	58.5	63.7	64.5	75.8	77.1	–	–	–	–	–	–
	Standby	–	57.9	58.9	63.9	64.9	76.2	77.8	–	–	–	–	–	–
P88-1	Prime	92	57.7	59.1	63.7	65.1	76.0	77.0	60.6	61.2	66.6	67.2	79.0	79.5
	Standby	92	58.1	59.8	64.1	65.8	76.2	77.4	60.8	61.5	66.8	67.5	79.2	79.6
P88-4	Prime	–	61.3	61.4	67.3	67.4	80.1	80.2	–	–	–	–	–	–
	Standby	–	61.3	61.5	67.3	67.5	80.2	80.3	–	–	–	–	–	–
P110-2	Prime	96	62.4	63.1	68.4	69.1	80.4	81.0	65.2	65.4	71.2	71.4	84.4	84.6
	Standby	96	62.6	63.5	68.6	69.5	80.6	81.3	65.2	65.5	71.2	71.5	84.5	84.7
P110-4	Prime	–	61.4	61.6	67.4	67.6	80.2	80.3	–	–	–	–	–	–
	Standby	–	61.5	61.7	67.5	67.7	80.2	80.4	–	–	–	–	–	–
P150-1	Prime	96	61.2	61.7	67.2	67.7	79.2	79.4	64.3	64.5	70.3	70.5	82.8	83.0
	Standby	96	61.4	61.8	67.4	67.8	79.3	79.4	64.4	64.6	70.4	70.6	82.9	83.1
P150-2	Prime	95	58.5	58.9	64.5	64.9	77.0	77.3	–	–	–	–	–	–
	Standby	95	58.6	59.1	64.6	65.1	77.1	77.5	–	–	–	–	–	–
P165-1	Prime	96	62.7	63.4	68.7	69.4	79.3	79.9	–	–	–	–	–	–
	Standby	96	62.9	63.7	68.9	69.7	79.5	80.2	–	–	–	–	–	–
P165-2	Prime	95	58.6	59.1	64.6	65.1	77.1	77.5	–	–	–	–	–	–
	Standby	95	58.8	59.4	64.8	65.4	77.2	77.7	–	–	–	–	–	–
P200-1	Prime	–	62.0	62.4	68.0	68.4	80.2	80.4	–	–	–	–	–	–
	Standby	–	62.1	62.7	68.1	68.7	80.2	80.5	–	–	–	–	–	–
P200-2	Prime	94	59.4	60.2	65.4	66.2	77.7	78.1	63.2	63.6	69.2	69.6	82.9	83.1
	Standby	94	59.6	60.5	65.6	66.5	77.8	78.3	63.3	63.8	69.3	69.8	83.0	83.2
P220-1	Prime	–	62.3	63.5	68.3	69.5	80.0	80.7	–	–	–	–	–	–
	Standby	–	62.7	64.0	68.7	70.0	80.2	81.1	–	–	–	–	–	–

Levels in accordance with European Noise Directive (2000/14/EC).

*Uncertified

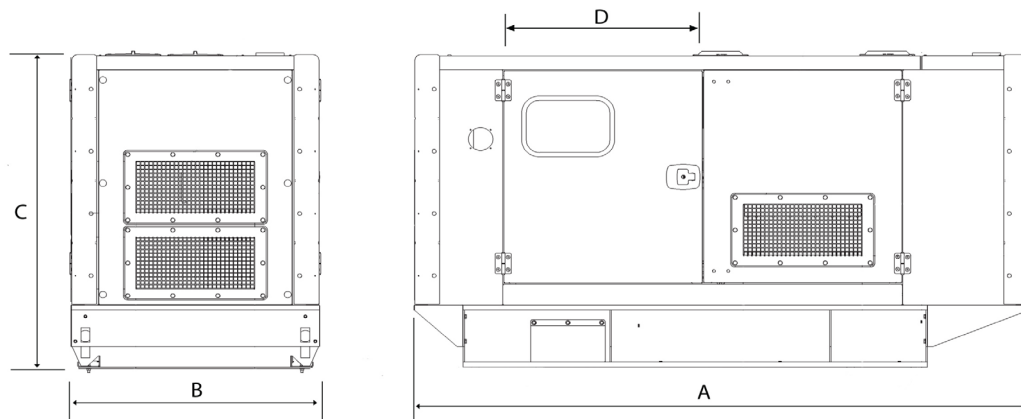
Sound Attenuated (SA) Sound Pressure Levels (dBA)

Generator Set Model		LWA	50 Hz						60 Hz					
			15m (50ft)		7m (23ft)		1m (3ft)		15m (50ft)		7m (23ft)		1m (3ft)	
			75% Load	100% Load	75% Load	100% Load	75% Load	100% Load	75% Load	100% Load	75% Load	100% Load	75% Load	100% Load
Single Phase Models														
P26-1S	Prime	–	60.5	61.8	66.5	67.8	76.3	78.4	–	–	–	–	–	–
	Standby	–	60.9	62.4	66.9	68.4	76.9	79.4	–	–	–	–	–	–
P26-4S	Prime	–	59.4	61.3	65.4	67.3	76.5	78.6	–	–	–	–	–	–
	Standby	–	60.0	62.1	66.0	68.1	77.1	79.6	–	–	–	–	–	–
P35-3S*	Prime	–	61.6	62.2	67.6	68.2	79.2	79.7	63.6	64.3	69.6	70.3	80.9	81.4
	Standby	–	61.8	62.4	67.8	68.4	79.3	79.9	63.9	64.6	69.9	70.6	81.1	81.6
P40-1S	Prime	–	56.4	57.2	62.4	63.2	76.4	77.3	59.4	60.2	65.4	66.2	79.1	80.2
	Standby	–	56.3	56.3	62.3	62.3	75.0	75.0	57.9	57.9	63.9	63.9	76.9	76.9
P40-2S	Prime	–	56.4	56.9	62.4	62.9	74.8	75.1	–	–	–	–	–	–
	Standby	–	56.6	57.1	62.6	63.1	74.9	75.1	–	–	–	–	–	–
P50-1S	Prime	91	58.1	59.1	64.1	65.1	76.6	77.3	61.1	62.1	67.1	68.1	78.9	80.0
	Standby	91	58.5	59.5	64.5	65.5	76.9	77.6	61.4	62.5	67.4	68.5	79.3	80.5
P50-3S	Prime	92	56.9	57.5	62.9	63.5	75.3	75.8	60.0	60.5	66.0	66.5	78.6	78.9
	Standby	92	57.1	57.9	63.1	63.9	75.5	76.1	60.1	60.6	66.1	66.6	78.7	79.1
P50-4S	Prime	97	57.7	58.5	63.7	64.5	75.8	77.1	–	–	–	–	–	–
	Standby	97	57.9	58.9	63.9	64.9	76.2	77.8	–	–	–	–	–	–
P80-2S	Prime	96	62.2	62.8	68.2	68.8	80.2	80.8	65.1	65.3	71.1	71.3	84.4	84.6
	Standby	96	62.4	63.1	68.4	69.1	80.4	81.0	65.2	65.4	71.2	71.4	84.4	84.6
P80-4S	Prime	–	61.3	61.5	67.3	67.5	80.2	80.3	–	–	–	–	–	–
	Standby	–	61.4	61.6	67.4	67.6	80.2	80.3	–	–	–	–	–	–

Levels in accordance with European Noise Directive (2000/14/EC).

*Uncertified

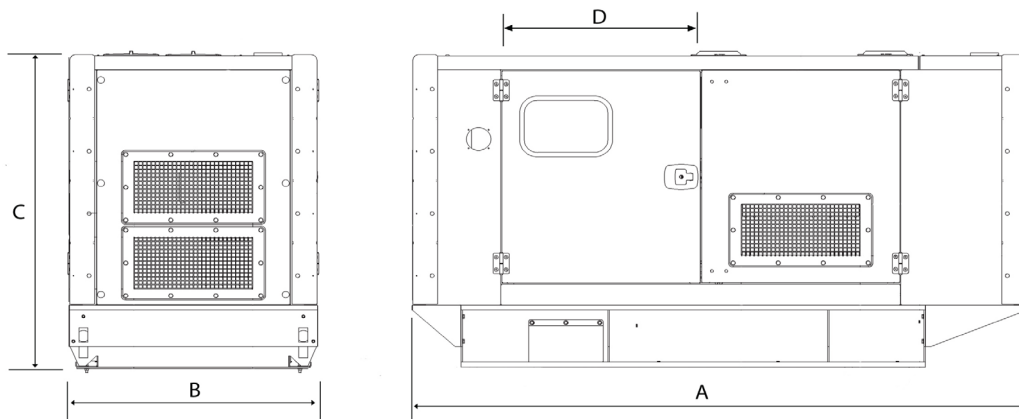
Dimensions, Weights and Fuel Capacities



Generator Set Model	A: mm (in)	B: mm (in)	C: mm (in)	D*: mm (in)	Weight: kg (lb)	Fuel Capacity I (US gal)
3 Phase Models						
P33-1	2120 (83.5)	970 (38.2)	1525 (60.0)	718 (28.3)	991 (2185)	161 (43.0)
P33-4	2120 (83.5)	970 (38.2)	1525 (60.0)	718 (28.3)	991 (2185)	161 (43.0)
P44-1	2300 (90.6)	1120 (44.1)	1525 (60.0)	795 (31.3)	1293 (2851)	219 (58.0)
P50-1	2300 (90.6)	1120 (44.1)	1525 (60.0)	795 (31.3)	1191 (2626)	219 (58.0)
P50-2	2300 (90.6)	1120 (44.1)	1525 (60.0)	795 (31.3)	1183 (2608)	219 (58.0)
P55-1	2300 (90.6)	1120 (44.1)	1525 (60.0)	795 (31.3)	1196 (2637)	219 (58.0)
P55-2	2300 (90.6)	1120 (44.1)	1525 (60.0)	795 (31.3)	1236 (2725)	219 (58.0)
P65-1	2300 (90.6)	1120 (44.1)	1525 (60.0)	795 (31.3)	1207 (2661)	219 (58.0)
P65-3	2300 (90.6)	1120 (44.1)	1525 (60.0)	795 (31.3)	1378 (3038)	219 (58.0)
P65-4	2300 (90.6)	1120 (44.1)	1525 (60.0)	795 (31.3)	1247 (2749)	219 (58.0)
P88-1	2300 (90.6)	1120 (44.1)	1525 (60.0)	795 (31.3)	1416 (3122)	219 (58.0)
P88-4	2770 (109.1)	1120 (44.1)	1525 (60.0)	896 (35.3)	1600 (3527)	250 (66.0)
P110-2	2770 (109.1)	1120 (44.1)	1525 (60.0)	896 (35.3)	1600 (3527)	250 (66.0)
P110-4	2770 (109.1)	1120 (44.1)	1525 (60.0)	896 (35.3)	1690 (3726)	250 (66.0)
P150-1	3520 (138.6)	1120 (44.1)	1815 (71.5)	1145 (45.1)	1970 (4343)	349 (92.0)
P150-2	3520 (138.6)	1120 (44.1)	1815 (71.5)	1145 (45.1)	2010 (4431)	349 (92.0)
P165-1	3520 (138.6)	1120 (44.1)	1815 (71.5)	1145 (45.1)	2025 (4464)	349 (92.0)
P165-2	3520 (138.6)	1120 (44.1)	1815 (71.5)	1145 (45.1)	2065 (4553)	349 (92.0)
P200-1	3520 (138.6)	1320 (52.0)	1815 (71.5)	1080 (42.5)	2198 (4836)	418 (110)
P200-2	3520 (138.6)	1320 (52.0)	1815 (71.5)	1080 (42.5)	2198 (4836)	418 (110)
P220-1	3520 (138.6)	1320 (52.0)	1815 (71.5)	1080 (42.5)	2238 (4934)	418 (110)

*Clearance required on both sides of set.
Weight with lube oil and coolant, no fuel.

Dimensions, Weights and Fuel Capacities



Generator Set Model	A: mm (in)	B: mm (in)	C: mm (in)	D*: mm (in)	Weight: kg (lb)	Fuel Capacity I (US gal)
Single Phase Models						
P26-1S	2120 (83.5)	970 (38.2)	1525 (60.0)	718 (28.3)	991 (2185)	161 (43.0)
P26-4S	2120 (83.5)	970 (38.2)	1525 (60.0)	718 (28.3)	991 (2185)	161 (43.0)
P35-3S	2300 (90.6)	1120 (44.1)	1525 (60.0)	795 (31.3)	1343 (2961)	219 (58.0)
P40-1S	2300 (90.6)	1120 (44.1)	1525 (60.0)	795 (31.3)	1247 (2749)	219 (58.0)
P40-2S	2300 (90.6)	1120 (44.1)	1525 (60.0)	795 (31.3)	1199 (2643)	219 (58.0)
P50-1S	2300 (90.6)	1120 (44.1)	1525 (60.0)	795 (31.3)	1340 (2954)	219 (58.0)
P50-3S	2300 (90.6)	1120 (44.1)	1525 (60.0)	795 (31.3)	1418 (3126)	219 (58.0)
P50-4S	2300 (90.6)	1120 (44.1)	1525 (60.0)	795 (31.3)	1380 (3042)	219 (58.0)
P80-2S	2770 (109.1)	1120 (44.1)	1525 (60.0)	896 (35.3)	1710 (3770)	250 (66.0)
P80-4S	2770 (109.1)	1120 (44.1)	1525 (60.0)	896 (35.3)	1750 (3858)	250 (66.0)

* Clearance required on both sides of set.
Weight with lube oil and coolant, no fuel.

FG Wilson has manufacturing facilities in the following locations:

Northern Ireland • Brazil • China • India • USA

With headquarters in Northern Ireland, FG Wilson operates through a Global Dealer Network.

To contact your local Sales Office please visit the FG Wilson website at www.FGWilson.com

In line with our policy of continuous product development, we reserve the right to change specification without notice.

26-220kVAEnclosure/1212/GB